

FIG 1

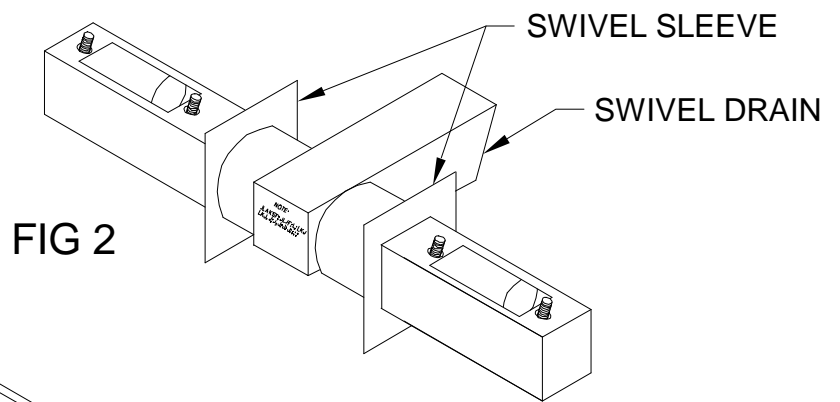


FIG 2

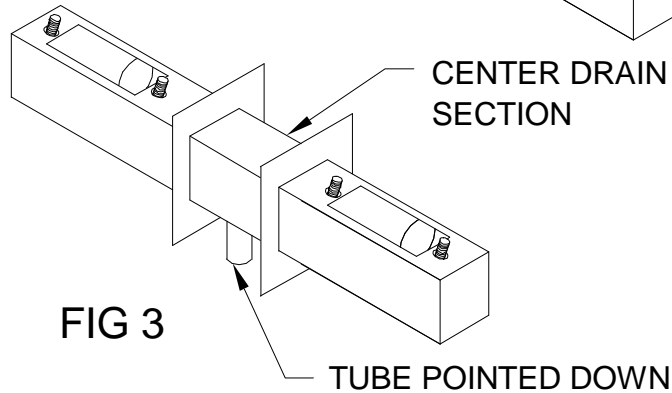


FIG 3

GAS MODELS

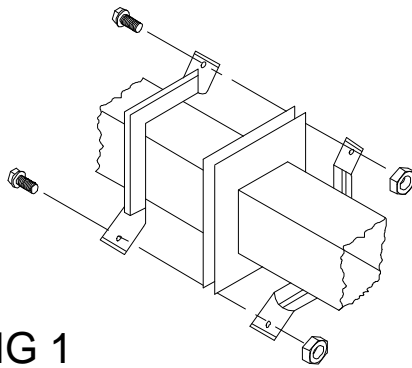


FIG 1

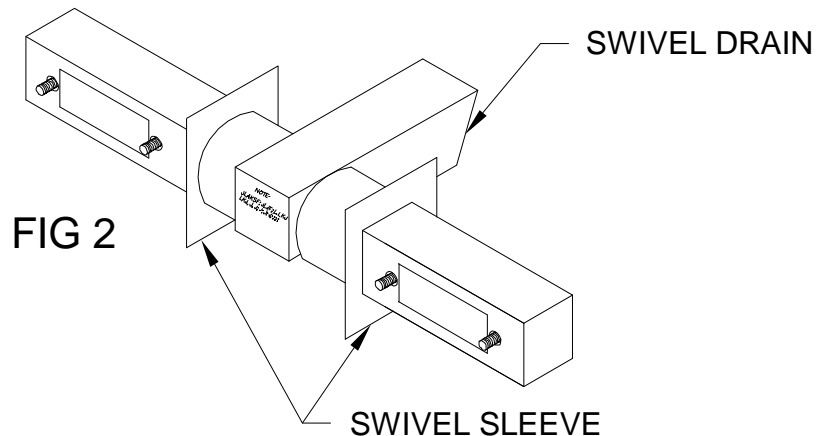


FIG 2

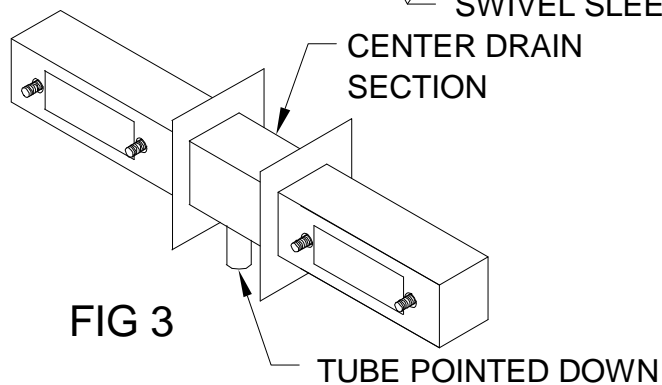


FIG 3

ELECTRIC MODELS

ELECTRIC OR GAS MODEL SWIVEL TUBE REPLACEMENT

1. REMOVE CLAMP ASSEMBLIES AS SHOWN IN FIG 1.
2. REMOVE SWIVEL DRAIN AND SWIVEL SLEEVE BETWEEN DRAIN LINES AS SHOWN IN FIG 2 (SAVE SQUARE DRAIN (GASKETS)).
3. REPLACE WITH THE CENTER DRAIN SECTION DRAIN TUBE POINTING DOWN AS SHOWN IN FIG 3, MAKING SURE SQUARE DRAIN GASKETS ARE REINSTALLED AT JOINTS. REINSTALL CLAMPS AT BOTH ENDS OF CENTER DRAIN SECTION.